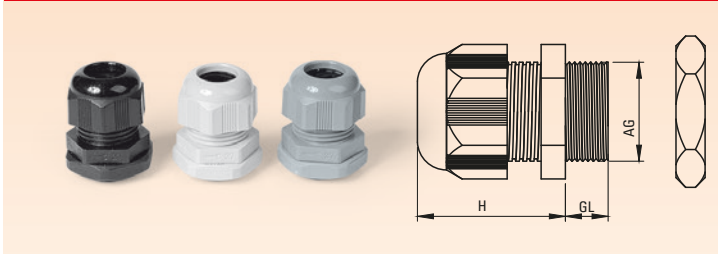
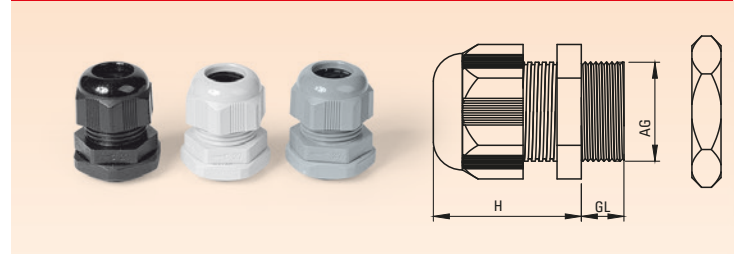


## STANDARD PLASTIC CABLE GLAND (METRIC)



Metric Thread	Code	Units in Pack	H (mm)	GL (mm)	Wrench Flat (mm)	Mount Dia (mm)	Cable Dia (mm)
M12x1,5	OMR 01	10	24	8	15	12,5	3-6,5
M16x1,5	OMR 02	10	28	8	19	16,5	4-8
M16x1,5	OMR 03	10	29	10	22	16,5	5-10
M20x1,5	OMR 04	10	29	10	24	20,5	6-12
M20x1,5	OMR 05	10	33	10	27	20,5	10-14
M25x1,5	OMR 06	10	38	10	33	25,5	13-18
M32x1,5	OMR 07	5	41	10	42	32,5	18-25
M40x1,5	OMR 08	5	51	10	53	40,5	22-32
M50x1,5	OMR 09	3	53	18	60	50,5	30-38
M63x1,5	OMR 10	2	55	18	65	63,5	34-44

## STANDARD PLASTIC CABLE GLAND (PG)



PG Thread	Code	Units in Pack	H (mm)	GL (mm)	Wrench Flat (mm)	Mount Dia (mm)	Cable Dia (mm)
PG7	OR 01	10	24	8	15	13	3-6,5
PG9	OR 02	10	28	8	19	16	4-8
PG11	OR 03	10	29	8	22	19	5-10
PG13,5	OR 04	10	29	9	24	21	6-12
PG16	OR 05	10	33	9	27	23	10-14
PG21	OR 06	10	38	11	33	29	13-18
PG29	OR 07	5	41	11	42	37,5	18-25
PG36	OR 08	5	51	13	53	47,5	22-32
PG42	OR 09	3	53	13	60	54,5	30-38
PG48	ORG10	2	55	14	65	60	34-44

## MULTIHOLE CABLE GLAND SEALS



Code	# of Holes	Hole Dia (mm)	Suitable PG Gland	Suitable Metric Gland	Suitable Spiral PG Gland	Suitable Spiral Metric Gland	Suitable Brass PG Gland	Suitable Brass Metric Gland
MEC02A3	2	3	OR 02 (PG9)	OMR 02 (M16x1,5)	OR 20 (PG9)	OMR 18 (M16x1,5)	OPB 02 (PG9)	OMB 02 (M16x1,5)
MEC03A3	3	3	OR 02 (PG9)	OMR 02 (M16x1,5)	OR 20 (PG9)	OMR 18 (M16x1,5)	OPB 02 (PG9)	OMB 02 (M16x1,5)
MEC02C3	4	3	OR 02 (PG9)	OMR 02 (M16x1,5)	OR 20 (PG9)	OMR 18 (M16x1,5)	OPB 02 (PG9)	OMB 02 (M16x1,5)
MEC03A4	2	4	OR 03 (PG11)	OMR 03 (M16x1,5)	OR 21 (PG11)	OMR 19 (M16x1,5)	OPB 03 (PG11)	-
MEC03A5	2	5	OR 03 (PG11)	OMR 03 (M16x1,5)	OR 21 (PG11)	OMR 19 (M16x1,5)	OPB 03 (PG11)	OMB 03 (M20x1,5)
MEC03B5	3	5	OR 03 (PG11)	OMR 03 (M16x1,5)	OR 21 (PG11)	OMR 19 (M16x1,5)	OPB 03 (PG11)	OMB 03 (M20x1,5)
MEC04A6	2	6	OR 04 (PG13,5)	OMR 04 (M20x1,5)	OR 22 (PG13,5)	OMR 20 (M20x1,5)	OPB 04 (PG13,5)	-
MEC04B5	3	5	OR 04 (PG13,5)	OMR 04 (M20x1,5)	OR 22 (PG13,5)	OMR 20 (M20x1,5)	OPB 04 (PG13,5)	-
MEC05A4	2	4	OR 05 (PG16)	OMR 05 (M20x1,5)	OR 23 (PG16)	OMR 21 (M20x1,5)	OPB 05 (PG16)	OMB 04 (M25x1,5)
MEC05A7	2	7	OR 05 (PG16)	OMR 05 (M20x1,5)	OR 23 (PG16)	OMR 21 (M20x1,5)	OPB 05 (PG16)	OMB 04 (M25x1,5)
MEC05B6	3	6	OR 05 (PG16)	OMR 05 (M20x1,5)	OR 23 (PG16)	OMR 21 (M20x1,5)	OPB 05 (PG16)	OMB 04 (M25x1,5)
MEC05C5	4	5	OR 05 (PG16)	OMR 05 (M20x1,5)	OR 23 (PG16)	OMR 21 (M20x1,5)	OPB 05 (PG16)	OMB 04 (M25x1,5)
MEC06A9	2	9	OR 06 (PG21)	OMR 06 (M25x1,5)	OR 24 (PG21)	OMR 22 (M25x1,5)	OPB 06 (PG21)	OMB 05 (M32x1,5)
MEC06B7	3	7	OR 06 (PG21)	OMR 06 (M25x1,5)	OR 24 (PG21)	OMR 22 (M25x1,5)	OPB 06 (PG21)	OMB 05 (M32x1,5)
MEC06B8	3	8	OR 06 (PG21)	OMR 06 (M25x1,5)	OR 24 (PG21)	OMR 22 (M25x1,5)	OPB 06 (PG21)	OMB 05 (M32x1,5)
MEC06C7	4	7	OR 06 (PG21)	OMR 06 (M25x1,5)	OR 24 (PG21)	OMR 22 (M25x1,5)	OPB 06 (PG21)	OMB 05 (M32x1,5)
MEC06G4	8	4	OR 06 (PG21)	OMR 06 (M25x1,5)	OR 24 (PG21)	OMR 22 (M25x1,5)	OPB 06 (PG21)	OMB 05 (M32x1,5)
MEC07C9	4	9	OR 07 (PG29)	OMR 07 (M32x1,5)	-	-	OPB 07 (PG29)	OMB 06 (M40x1,5)
MEC07D3	16	3	OR 07 (PG29)	OMR 07 (M32x1,5)	-	-	OPB 07 (PG29)	OMB 06 (M40x1,5)
MEC08E8	6	8	OR 08 (PG36)	OMR 08 (M40x1,5)	-	-	OPB 07 (PG29)	OMB 06 (M40x1,5)

## BRASS NICKEL PLATED CABLE GLAND (METRIC)



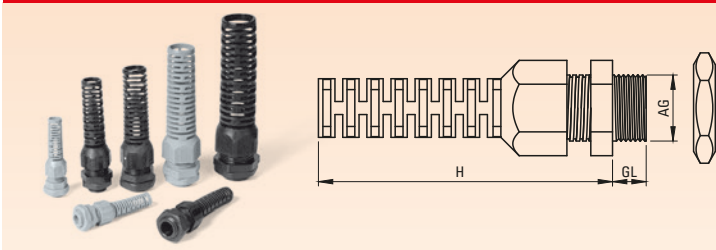
Metric Thread	Code	Units in Pack	H (mm)	GL (mm)	Wrench Flat (mm)	Mount Dia (mm)	Cable Dia (mm)
M12x1,5	OMB 01	10	19	6	14-14	12,5	3-6,5
M16x1,5	OMB 02	10	21	7	18-17	16,5	4-8
M20x1,5	OMB 03	10	23	8	22-22	20,5	6-12
M25x1,5	OMB 04	10	24	8	27-24	25,5	10-14
M32x1,5	OMB 05	5	25	9	34-30	32,5	13-18
M40x1,5	OMB 06	5	31	9	43-40	40,5	18-25
M50x1,5	OMB 07	3	37	9	55-50	50,5	22-32
M63x1,5	OMB 08	2	38	14	68-64	63,5	34-44

## BRASS NICKEL PLATED CABLE GLAND (PG)



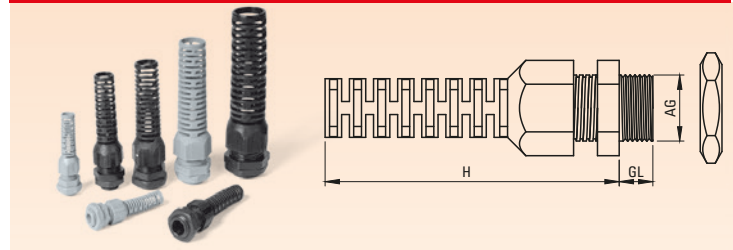
PG Thread	Code	Units in Pack	H (mm)	GL (mm)	Wrench Flat (mm)	Mount Dia (mm)	Cable Dia (mm)t
PG7	OPB 01	10	19	6	14	13	3-6,5
PG9	OPB 02	10	21	6	17	16	4-8
PG11	OPB 03	10	22	6	20	19	5-10
PG13,5	OPB 04	10	23	6,5	22	21	6-12
PG16	OPB 05	10	24	6,5	24	23	10-14
PG21	OPB 06	10	25	7	30	29	13-18
PG29	OPB 07	5	31	8	40	37,5	18-25
PG36	OPB 08	5	37	10	50	47,5	22-32
PG42	OPB 09	3	37	12	57	54,5	30-38
PG48	OPB 10	2	38	14	64	60	34-44

## SPIRAL PLASTIC CABLE GLAND (METRIC)



Metric Thread	Code	Units in Pack	H (mm)	GL (mm)	Wrench Flat (mm)	Mount Dia (mm)	Cable Dia (mm)
M12x1,5	OMR 17	10	57	8	15	12,5	3-6,5
M16x1,5	OMR 18	10	70	8	19	16,5	4-8
M16x1,5	OMR 19	10	81	10	22	16,5	5-10
M20x1,5	OMR 20	10	89	10	24	20,5	6-12
M20x1,5	OMR 21	5	107	10	27	20,5	10-14
M25x1,5	OMR 22	5	124	10	33	25,5	13-18

## SPIRAL PLASTIC CABLE GLAND (METRIC)

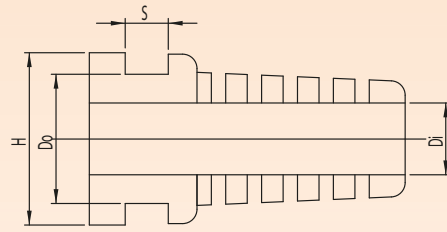


PG Thread	Code	Units in Pack	H (mm)	GL (mm)	Wrench Flat (mm)	Mount Dia (mm)	Cable Dia (mm)
PG7	OR 19	10	57	8	15	13	3-6,5
PG9	OR 20	10	70	8	19	16	4-8
PG11	OR 21	10	81	8	22	19	5-10
PG13,5	OR 22	5	89	9	24	21	6-12
PG16	OR 23	5	107	9	27	23	10-14
PG21	OR 24	5	124	11	33	29	13-18

## PLASTIC BLINDSTOP

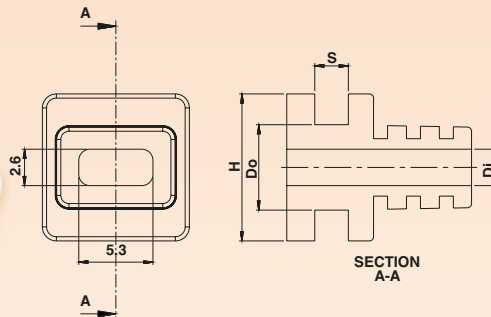


PG Thread	Code	Units in Pack	Metric Thread	Code	Units in Pack
PG7	OK 01	10	M12x1,5	MOK 01	10
PG9	OK 02	10	M16x1,5	MOK 02	10
PG11	OK 03	10	M20x1,5	MOK 03	10
PG13,5	OK 04	10	M25x1,5	MOK 04	10
PG16	OK 05	10	M32x1,5	MOK 05	10
PG21	OK 06	10	M40x1,5	MOK 06	10
PG29	OK 07	10			
PG36	OK 08	10			



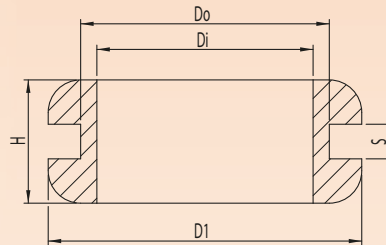
Code	Di	Do	H	S
A-9035	3,5	9	12,5	3
A-905	5	9	11,5	2,8
A-909	5	9	12	2,5
A-913	6	14	15	2,8
A-914	8	11	15,5	2,8
A-915	10	13	17,3	2,3
A-907	4	9	11,5	2,8

## SLEEVED CABLE GROMMET



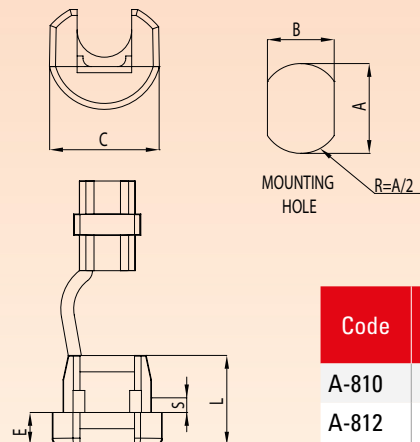
Code	Di	Do	H	S
A-903	2x0,75	6,5	10,5	2,3

## 2X 0,75 MM CABLE GROMMET



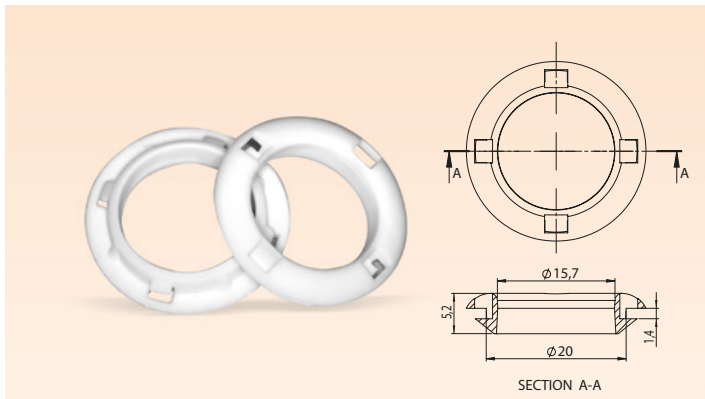
Code	Di	Do	D1	H	S
A-904	4	5,5	9	5	1,5
A-906	6	8	11,3	4,3	1,5
A-908	8	10	13	5,2	1,5
A-910	10	11,5	14	6	1,6
A-912	12	15	19,5	5,5	1,8

## SLEEVED CABLE GROMMET



Code	A (mm)	B (mm)	C (mm)	L (mm)	E (mm)	S (mm)
A-810	12,7	10,9	13,5	11	4	1,8
A-812	16,2	13,5	16,5	15	6	1,9

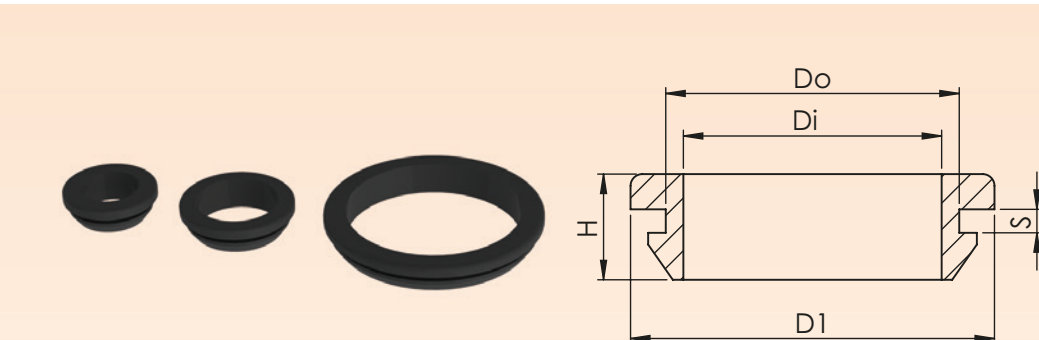
## STRAIN RELIEF BUSHING



**SLEEVED CABLE GROMMET A-920**

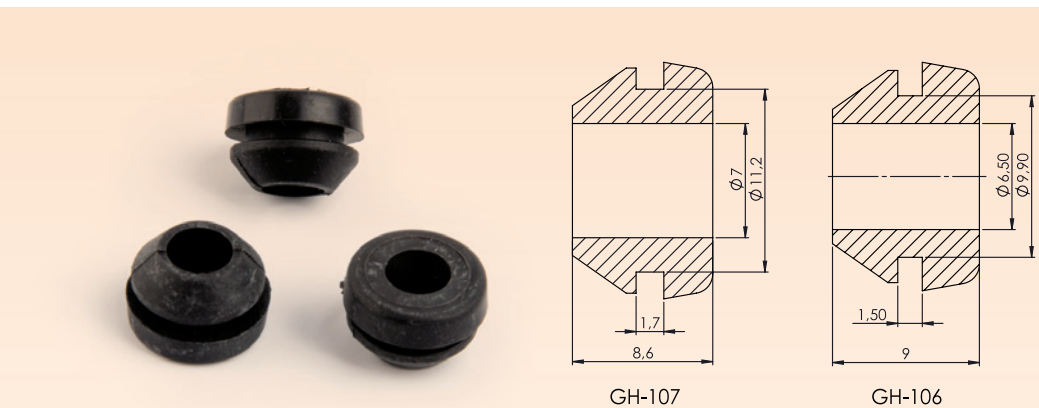


**FASTON TERMINAL COVER (6X3 MM)**



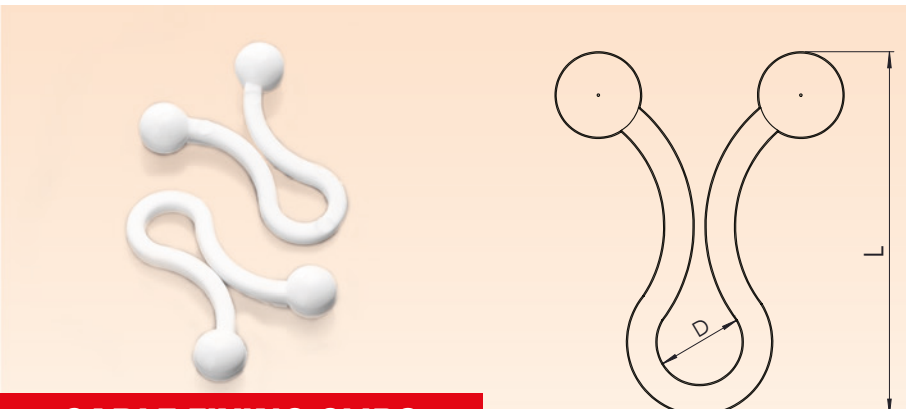
**SLEEVED CABLE GROMMET**

Code	Di	Do	D1	H	S
A-820	16	20	26	9	2
A-825	22	25	31	9	2
A-850	46	50	58	9	2



**SLEEVED CABLE GROMMET**

Code	Di	Do	D1	H	S
GH-106	6,5	10	14	9	1,5
GH-107	7	11	14,5	8,5	1,7



**CABLE FIXING CLIPS**

Material	PA6 UL94 V2
Color	White

Code	H (mm)	D (Cable Dia mm)	Pack
TK-040	20	4 - 6,5	1000
TK-045	27,3	7,6 - 10,2	1000
TK-050	34,3	14 - 16,5	1000
TK-060	48,9	Maks. 25,4	500
TK-070	68,5	Maks. 36,5	500